

Overview

Vision Technology provides safe LiFePO4 battery solutions for UPS and Energy storage system. This battery system serves for UPS and Energy storage system with perfect compatibility and safe long cycle life.

Features

- Can/RS485 Communication output for monitoring
- Achieve up 32 BMU in cascade communication
- Internal cell balancing ,Passive equalization , the maximum equalization current up to 300mA
- High-precision cell voltage and temperature acquisition: $\pm 5\text{mv}$, $\pm 1^\circ\text{C}$;
- Fan control circuit and interface, realize heat dissipation inside the module

Rack Preview



Module 51.2V50Ah



Rack 512V50Ah

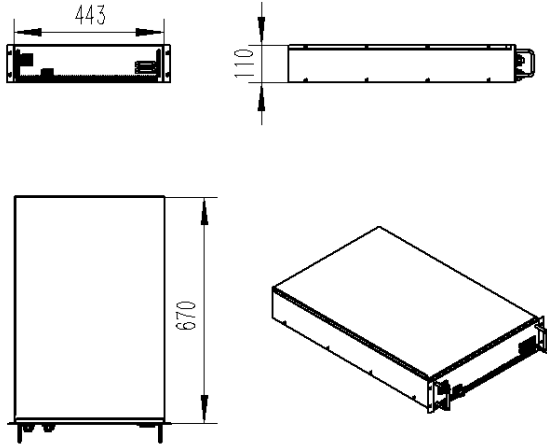
Performance Data

| Time(min) | / | 15 | 30 | 60 | 90 | 120 |
|---------------------|---|-------------|------|------|------|------|
| Constant Power(kw) | / | 95.2 | 48.4 | 24.8 | 16.4 | 12.6 |
| Constant Current(A) | / | 200 | 100 | 50 | 32 | 25 |

System Specification

| | |
|---------------------------------|------------------|
| Voltage Range(V) | 400~576 |
| Cell | 3.2V50Ah |
| Series & Parallels | 160S1P |
| Rated Voltage(V) | 512 |
| Rated Capacity(Ah) | 50 |
| Rated Energy(KWh) | 25.6 |
| Maximum Output Power(KVA) | 100 |
| Maximum Discharge Current(A) | 250 |
| Maximum Charge Current(A) | 25 |
| Discharge cut-off voltage(V) | 400 |
| Charge input voltage(V) | 584 |
| Backup time | 15min |
| Cycle life(@25°C,1C/1C,100%DOD) | >2000 |
| Rack Dimension(W* D* H) | 600*1200*2000 mm |
| System Dimension(W* D* H) | 600*1200*2000 mm |
| Total Weight(Kg) | Approx.350 |
| Thermal Management | Air cooling |
| Operating temperature | -20 ~ 65°C |
| Operating humidity | 60 \pm 25%R.H. |
| Certified | UL/CE/UN38.3 |
| Communication | CAN/RS485 |
| Dry Contact | optional |
| System parallels | Yes |
| Screen | optional |

Module size

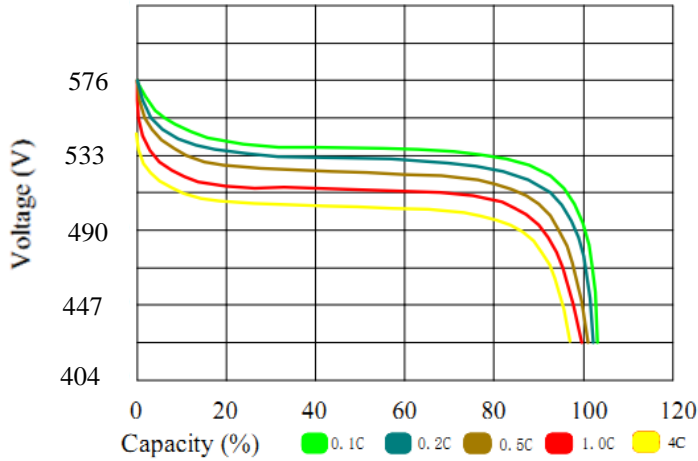


Parallels Solution

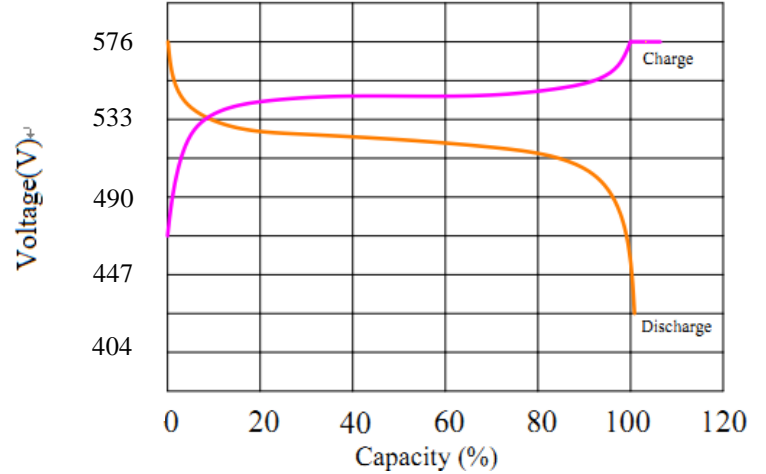


Characteristics Curve

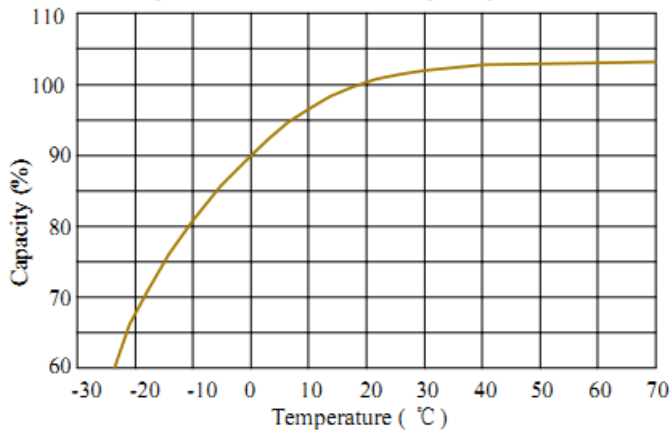
Discharge Performance at 25 °C



Charge and Discharge at 25 °C, 0.2C



Temperature effects on capacity at 0.2C



Cycle life with DOD at 25 °C, 0.2C

