

## Overview

Vision Technology provides safe LiFePO4 battery solutions for UPS and Energy storage system. This battery system serves for UPS and Energy storage system with perfect compatibility and safe long cycle life.

## Features

- Can/RS485 Communication output for monitoring
- Achieve up 32 BMU in cascade communication
- Internal cell balancing ,Passive equalization , the maximum equalization current up to 300mA
- High-precision cell voltage and temperature acquisition:  $\pm 5\text{mv}$ ,  $\pm 1^\circ\text{C}$ ;
- Fan control circuit and interface, realize heat dissipation inside the module

## Rack Preview



Module 51.2V50Ah



Rack 512V50Ah

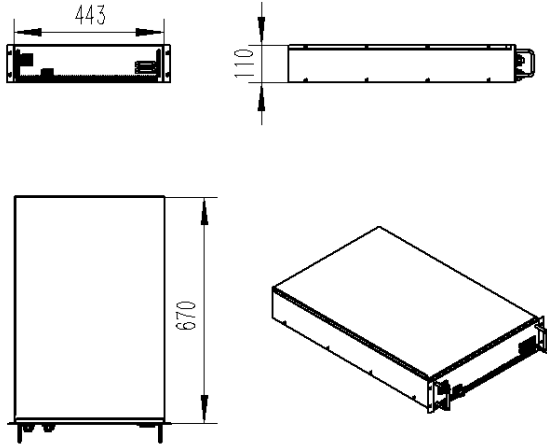
## Performance Data

Time(min)	>5	>10	15	30	60	120
Constant Power(kw)	<b>656.2</b>	<b>612.8</b>	<b>546.2</b>	305.6	152.1	74.9
Constant Current(A)	<b>1350</b>	<b>1260</b>	<b>1200</b>	600	300	150

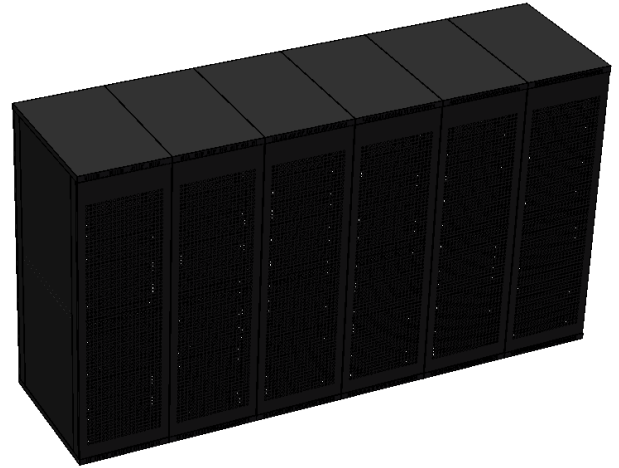
## System Specification

<b>Voltage Range(V)</b>	<b>400~576</b>
Cell	3.2V50Ah
Series & Parallels	160S6P
Rated Voltage(V)	512
Rated Capacity(Ah)	300
Rated Energy(KWh)	153.6
Maximum Output Power(KW)	660
Maximum Discharge Current(A)	1500
Maximum Charge Current(A)	150
Discharge cut-off voltage(V)	400
Charge input voltage(V)	584
Backup time	15min
Cycle life(@25°C,1C/1C,100%DOD)	>2500
Rack Dimension(W* D* H)	600*1000*2000 mm
System Dimension(W* D* H)	3600*1000*2000 mm
Total Weight(Kg)	Approx.2100
Thermal Management	Air cooling
Operating temperature	-20 ~ 65°C
Operating humidity	60 $\pm$ 25%R.H.
Certified	UL/CE/UN38.3
Communication	CAN/RS485
Dry Contact	optional
System parallels	6
Screen	optional

## Module size



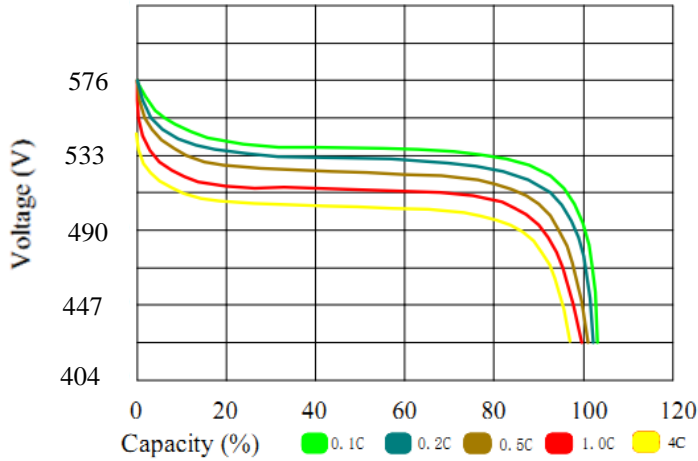
## Solution Preview



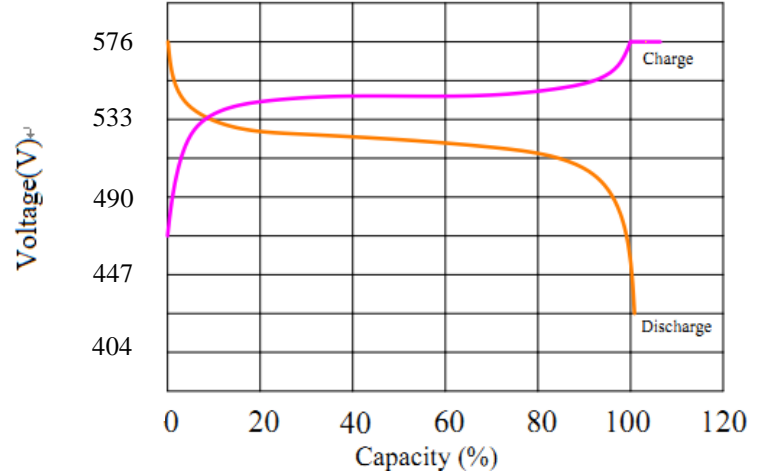
System 512V300Ah

## Characteristics Curve

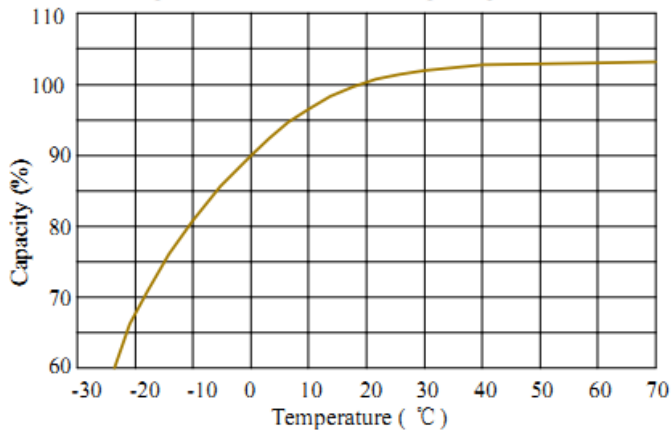
Discharge Performance at 25 °C



Charge and Discharge at 25 °C, 0.2C



Temperature effects on capacity at 0.2C



Cycle life with DOD at 25 °C, 0.2C

