

## Overview

Vision Technology provides safe LiFePO4 battery solutions for UPS and Energy storage system. This battery system serves for UPS and Energy storage system with perfect compatibility and safe long cycle life.

## Features

- Can/RS485 Communication output for monitoring
- Achieve up 32 BMU in cascade communication
- Internal cell balancing ,Passive equalization , the maximum equalization current up to 300mA
- High-precision cell voltage and temperature acquisition:  $\pm 5\text{mv}$ ,  $\pm 1^\circ\text{C}$ ;
- Fan control circuit and interface, realize heat dissipation inside the module

## Rack Preview



Module 51.2V40Ah



Rack 512V40Ah

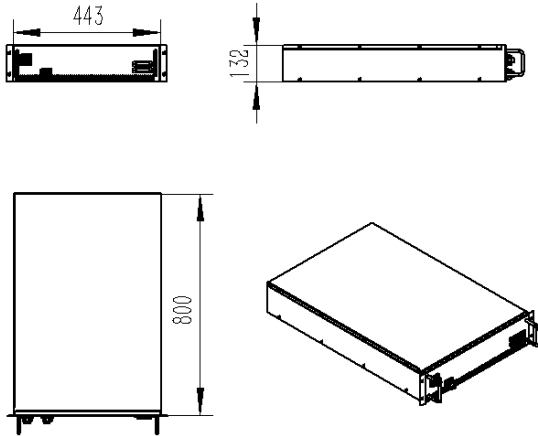
## Performance Data

Time(min)			5	15	30	60
Constant Power(kw)			1250	482.2	243.8	120.7
Constant Current(A)			2850	960	480	240

## System Specification

<b>Voltage Range(V)</b>	<b>400~576</b>
Cell	3.2V20Ah
Series & Parallels	160S12P
Rated Voltage(V)	512
Rated Capacity(Ah)	240
Rated Energy(KWh)	122.8
Maximum Output Power(KVA)	1250
Maximum Discharge Current(A)	3200
Maximum Charge Current(A)	120
Discharge cut-off voltage(V)	400
Charge input voltage(V)	584
Backup time	1min
Cycle life(@25°C,1C/1C,100%DOD)	>2000
Rack Dimension(W* D* H)	600*1000*2000 mm
System Dimension(W* D* H)	3600*1000*2000 mm
Total Weight(Kg)	Approx.2000
Thermal Management	Air cooling
Operating temperature	-20 ~ 65°C
Operating humidity	60 $\pm$ 25%R.H.
Certified	UL/CE/UN38.3
Communication	CAN/RS485
Dry Contact	optional
System parallels	6
Screen	optional

**Module size**



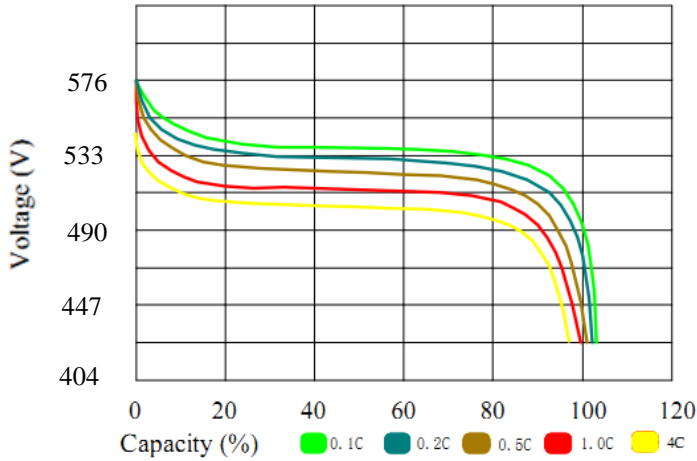
**Solution Preview**



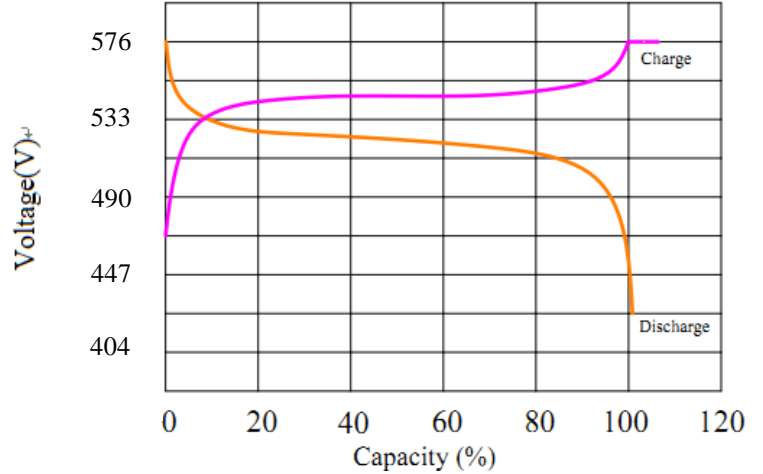
System 512V240Ah

**Characteristics Curve**

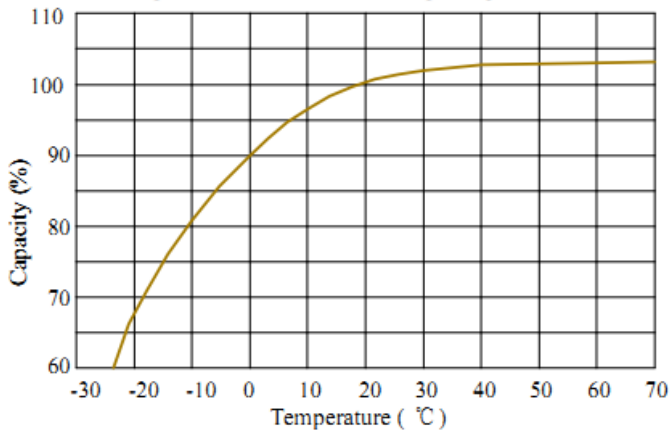
Discharge Performance at 25 °C



Charge and Discharge at 25 °C, 0.2C



Temperature effects on capacity at 0.2C



Cycle life with DOD at 25 °C, 0.2C

