

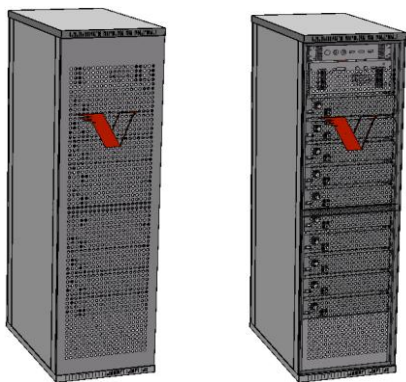
Overview

Vision Technology provides safe LiFePO₄ battery solutions for UPS and Energy storage system. This battery system serves for UPS and Energy storage system with perfect compatibility and safe long cycle life.

Features

- Can/RS485 Communication output for monitoring
- Achieve up 32 BMU in cascade communication
- Internal cell balancing ,Passive equalization , the maximum equalization current up to 300mA
- High-precision cell voltage and temperature acquisition: $\pm 5\text{mv}$, $\pm 1^\circ\text{C}$;
- Fan control circuit and interface, realize heat dissipation inside the module

Rack Preview



Rack 512V50Ah

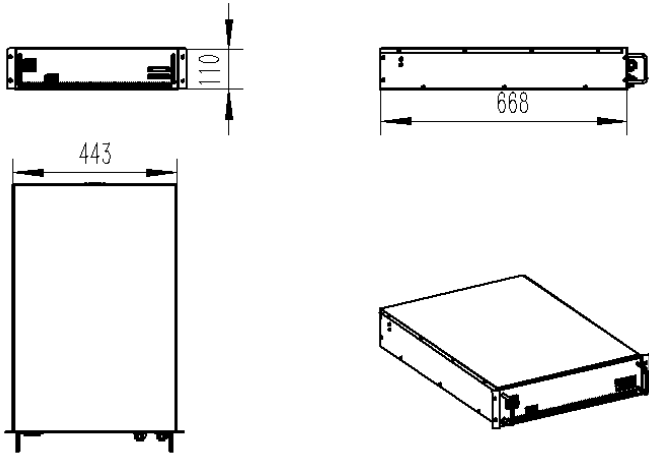
Performance Data

Time(min)	/	15	30	60	90	120
Constant Power(kw)	/	380.4	193.6	99.2	65.6	50.4
Constant Current(A)	/	800	400	200	130	100

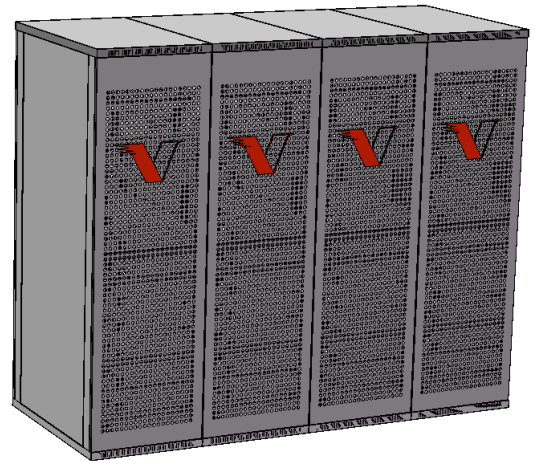
System Specification

Voltage Range(V)	400~576
LiFePO ₄ Cell	3.2V50Ah
Series & Parallels	160S4P
Rated Voltage(V)	512
Rated Capacity(Ah)	200
Rated Energy(KWh)	102.4
Maximum Output Power(KVA)	400
Maximum Discharge Current(A)	1000
Maximum Charge Current(A)	100
Discharge cut-off voltage(V)	400
Charge input voltage(V)	584
Backup time	15min
Cycle life(@25°C,1C/1C,100%DOD)	>2000
Rack Dimension(W* D* H)	600*1000*2000 mm
System Dimension(W* D* H)	2400*1000*2000 mm
Total Weight(Kg)	Approx.1350
Thermal Management	Air cooling
Operating temperature	-20 ~ 65°C
Operating humidity	60 ±25%R.H.
Certified	UL/CE/UN38.3
Communication	CAN/RS485
Dry Contact	optional
System parallels	4
Screen	optional

Module size

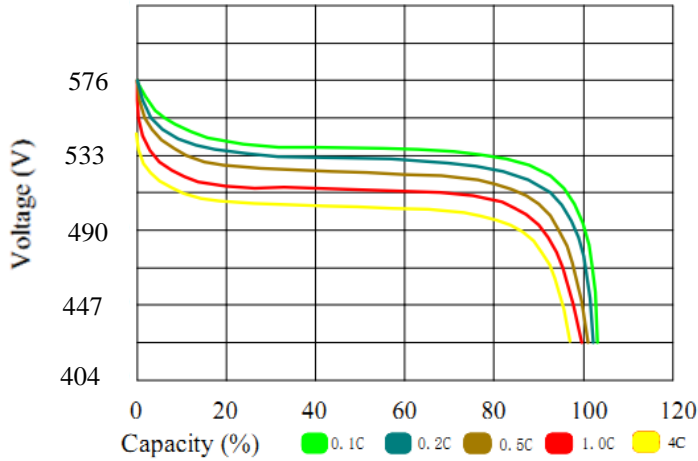


Solution Preview

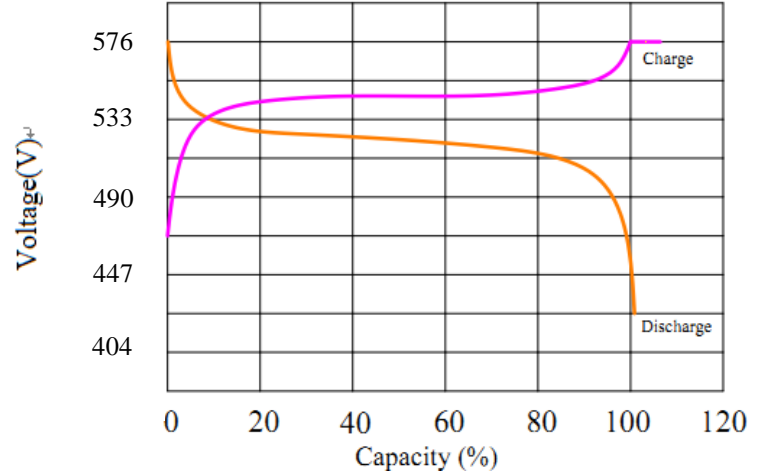


Characteristics Curve

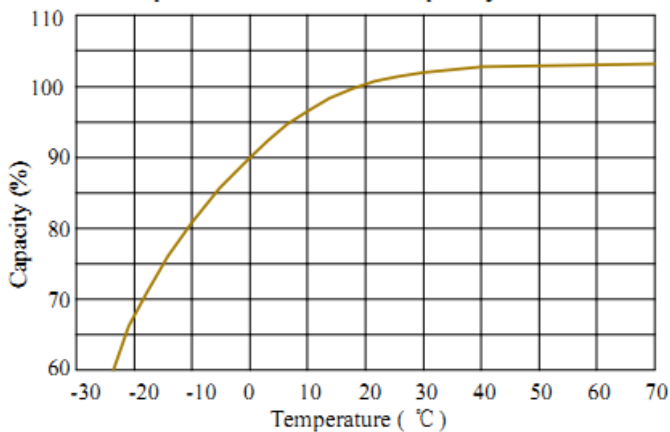
Discharge Performance at 25 °C



Charge and Discharge at 25 °C, 0.2C



Temperature effects on capacity at 0.2C



Cycle life with DOD at 25 °C, 0.2C

